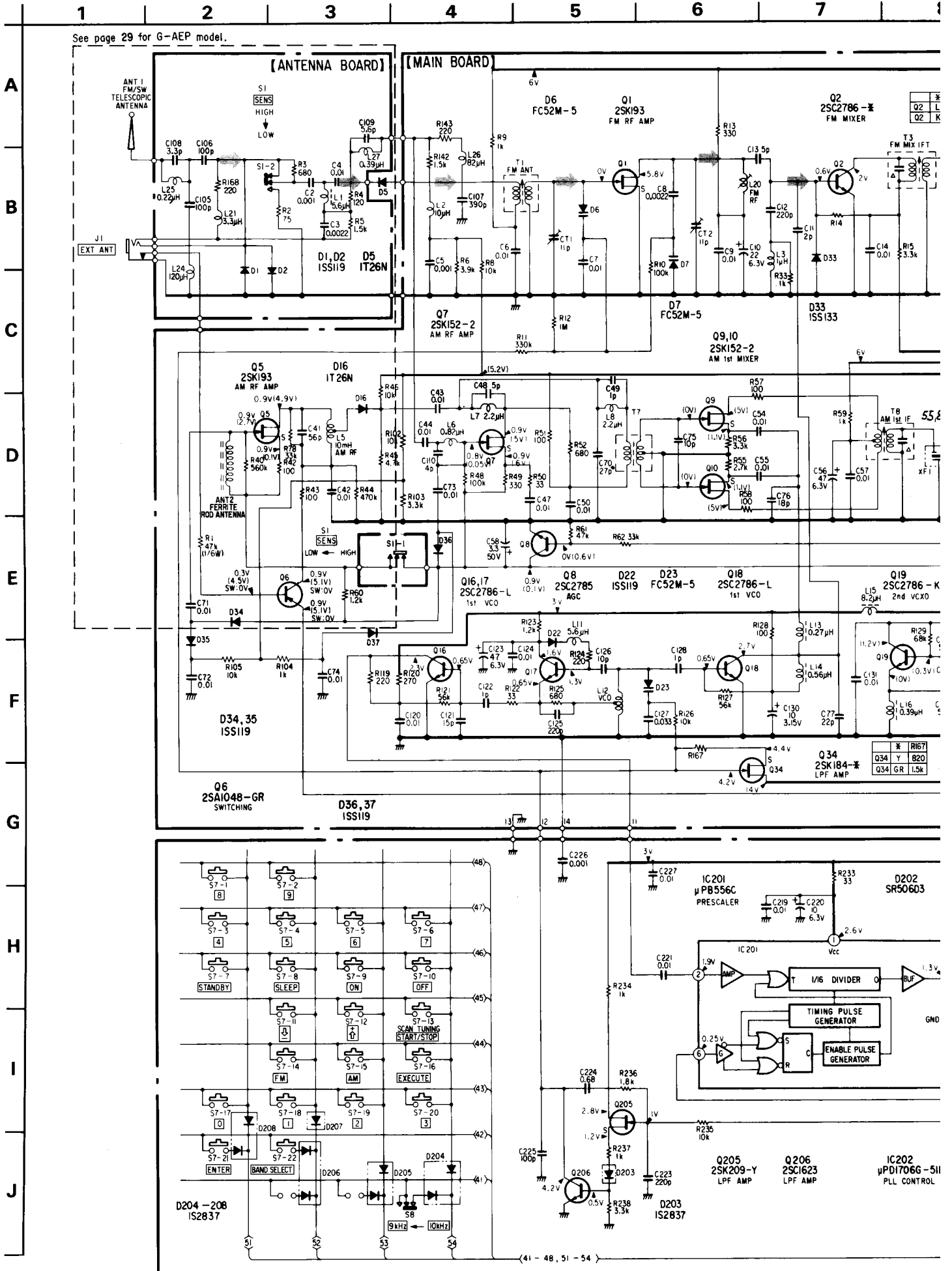


4.2. SCHEMATIC DIAGRAM

See page 29 for G-AEP model.



S ICF-7600DS

8 9 10 11 12 13 14 15

See page 30 for MIDDLE EASTS, SAUDI ARABIA model

